

# KLD-106XA

10inch Fanless Panel PC with  
Intel J1900 Processor



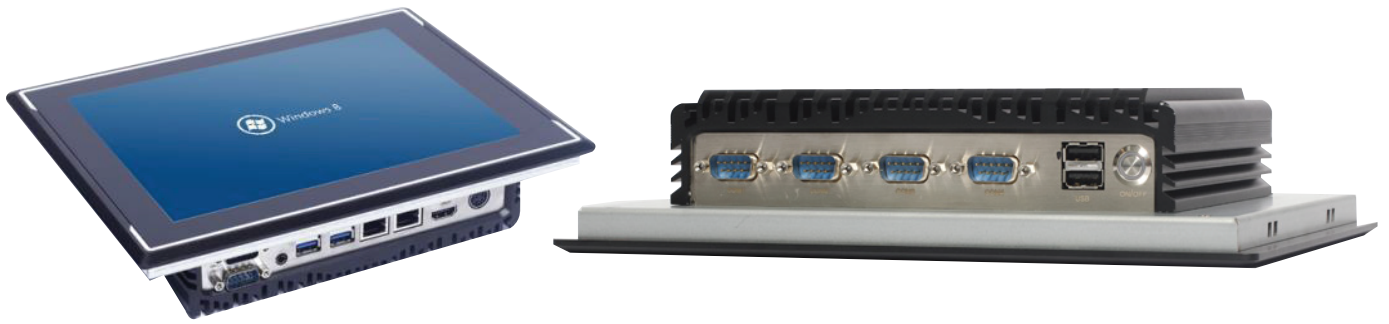
## Features

- Embedded Intel Bay Trail J1900 Processor
- 10inch LED Panel with capacitive touchscreen
- System memory up to 4GB DDR3
- HDMI+VGA Dual Display
- Fanless design and low power consumption
- Front Panel IP65 Level
- Supports Win 7/ Win 8/ Win 10/ Linux OS

## Specifications

<b>Processor</b>	CPU	Intel Bay Trail J1900
	Cooling System	Fanless
	Memory	Onboard 2GB/4GB DDR3
	Storage	mSATA SSD 64GB
<b>Input Voltage</b>	I/O ports	USB: 3xUSB2.0+1xUSB3.0 COM: 4xRS232, optional 6xRS232
	Network(LAN)	2x 10/100/1000Mbps Ethernet
	Input Voltage	12V DC(Aviation Connector) , optional 9V-36V DC
	Display Type	Dual Display: 1xVGA, 1xHDMI
<b>LCD Display</b>	Max. Resolution	1024x768 / 4:3
	Luminance(cd/m <sup>2</sup> )	300-1000nits
<b>Touchscreen</b>	Touch Type	Capacitive Touch
<b>OS Support</b>	OS Support	Microsoft Windows 7/ Windows 8/ Windows 10/ Linux
<b>Environment</b>	Operating Temperature	-10°C,60°C(14~ 140 °F)(extend temperature optional)
	Storage Temperature	-20°C,70°C(-4 ~ 158°F)
	Front Panel Protection	IP65 compliant
<b>Mechanical</b>	Dimensions	260x207x58mm
	Weight	2.76KG
	Color	Black
	Material	Aluminum

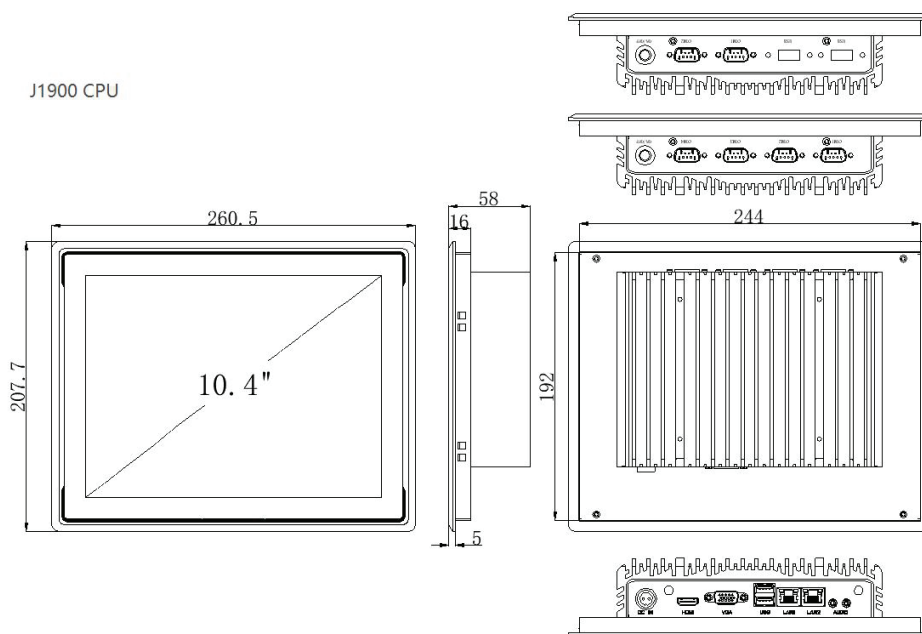
## Pictures



## Dimensions

Unit: mm

J1900 CPU



### Packing List

- 1x KLD-106XA
- 1x Driver CD
- 1x Power Adapter

### Operating Systems

- WIN7 32bit 64bit ENG
- WIN8 32bit 64bit ENG
- WIN10 32bit 64bit ENG

### Ordering Information

KLD-106XA: Projected Capacitive  
Touch Version

### Optional accessories

- VESA Bracket
- Power Cable 2-pin 200cm