

KLD-176XK

17.3inch Fanless Panel PC with
Intel J1900 Processor



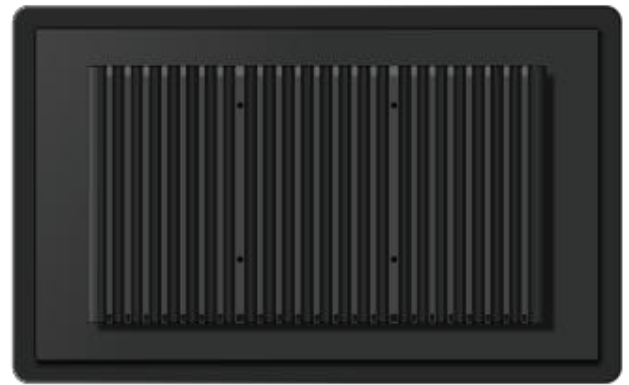
Features

- Embedded Intel Bay Trail J1900 Processor
- 17.3inch LED Panel with capacitive touchscreen
- System memory up to 4GB DDR3
- HDMI+VGA Dual Display
- Fanless design and low power consumption
- Front Panel IP65 Level
- Supports Win 7/ Win 8/ Win 10/ Linux OS

Specifications

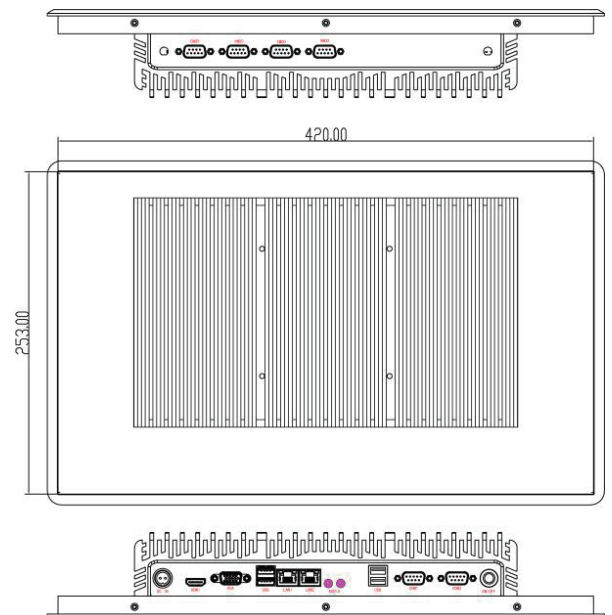
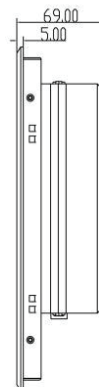
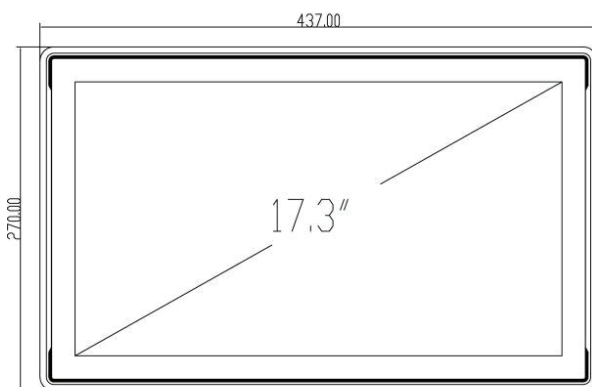
Processor	CPU	Intel Bay Trail J1900
	Cooling System	Fanless
	Memory	Onboard 4GB DDR3
	Storage	64GB SSD
Input Voltage	I/O ports	USB: 3xUSB2.0+1xUSB3.0 COM: 4xRS232, optional 6xRS232
	Network(LAN)	Dual Display: 1xVGA, 1xHDMI
	Input Voltage	Audio: 1xMic-in, 1x Line-out
	Display Type	Expansion: MINI-PCIE
LCD Display	Max. Resolution	2x 10/100/1000Mbps Ethernet
	Luminance(cd/m ²)	12V DC(Aviation Connector) , optional 9V-36V DC
Touchscreen OS Support	Touch Type	17.3inch TFT LED Panel(LED Backlight)
	OS Support	1920x1080 / 16:9
Environment	Operating Temperature	300-1000nits
	Storage Temperature	Capacitive Touch
	Front Panel Protection	Microsoft Windows 7/ Windows 8/ Windows 10/ Linux
Mechanical	Dimensions	-10°C,60°C(14~ 140 °F)(extend temperature optional)
	Weight	-20°C,70°C(-4 ~ 158°F)
	Color	IP65 compliant
	Material	437x270x69mm

Pictures



Dimensions

Unit: mm



Packing List

- 1x KLD-1762K
- 1x Driver CD
- 1x Power Adapter

Operating Systems

- WIN7 32bit 64bit ENG
- WIN8 32bit 64bit ENG
- WIN10 32bit 64bit ENG

Ordering Information

KLD-1762K: Projected Capacitive Touch Version

Optional accessories

- VESA Bracket
- Power Cable 2-pin 200cm