

# KLD-0762A

7inch Industrial Panel PC



## Features

- Intel Baytrail Celeron J1900 2.0-2.4GHz CPU
- 7inch LED Panel with Capacitive touchscreen
- Onboard memory up to 4GB DDR3
- 1\*VGA, 1\* HDMI, Dual independent display
- Aluminum die-casting chassis, fanless design
- Front Panel IP65 Level
- Supports Win 7/ Win 8/ Win 10/ Linux OS

## Specifications

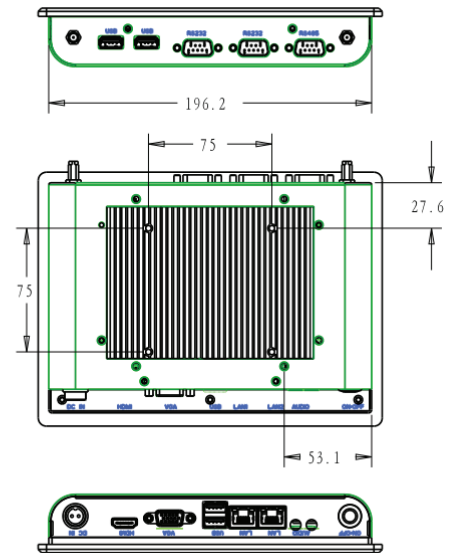
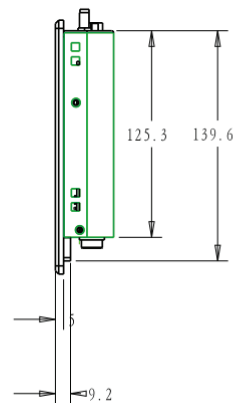
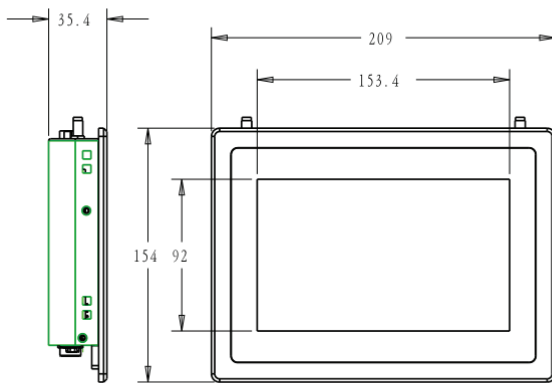
<b>Processor</b>	CPU	Intel Baytrail D Celeron J1900, 2.0~2.42GHz, 4cores, 4threads, 2M cache, 22nm,TDP10W
	Cooling System	Fanless
	Memory	Onboard DDR3L, max 4GB
	Storage	1*mSATA SSD Full Size
<b>Input Voltage</b>	I/O ports	3xUSB2.0+1xUSB3.0, Type A COM:2xRS232,DB9 1*RS485,(12V DC power supply optional )
	Network(LAN)	Dual Display1xHDMI(1920*1200 @30Hz1*VGA (1920*1200 @30Hz)
	Input Voltage	Audio: 1xMic in, 1x Line out
	Display Type	Expansion: MINI PCIE
<b>LCD Display</b>	Max. Resolution	2x Intel i211 10/100/1000Mbps Ethernet
	Luminance(cd/m <sup>2</sup> )	12V DC 2 Pin Aviation Connector) , optional 9V 36V DC
<b>Touchscreen OS Support</b>	Touch Type	7 inch TFT LED Panel , active size (L*H) 153.4x92mm
	OS Support	1024x 600 / 16:9
<b>Environment</b>	Operating Temperature	300nits
	Storage Temperature	Projected Capacitive Touch
	Front Panel Protection	Microsoft Windows 7/ Windows 8/ Windows 10/ Linux
<b>Mechanical</b>	Dimensions	-10°C,60°C(14~ 140 °F)(extend temperature optional)
	Weight	-20°C,70°C(-4 ~ 158°F)
	Color	IP65 compliant
	Material	(L*W*H):209 x 154 x 35.4 mm,(L*H) 196.2x139.6mm
	Certification	N.W. 1.35KG

## Pictures



## Dimensions

Unit: mm



### Packing List

- 1x KLD 0762A
- 1x Driver CD
- 1x Power Adapter (12V 5A)
- VESA Bracket & Buckles

### Operating Systems

- WIN7 32bit 64bit ENG
- WIN8 32bit 64bit ENG
- WIN10 32bit 64bit ENG
- Linux Ubuntu 12.04/16.04/18.04

### Ordering Information

KLD 0762A: Capacitive Touch Version

### Optional accessories

Power Cable 2-pin 200cm