

FPM-2102K

21.5inch Industrial Touch Monitor



Features

- Flat Panel Screen, 5mm ultra-thin
- 21.5inch LED Panel with projected capacitive touchscreen
- 300-1000nits Brightness
- HDMI+VGA Signal Input
- Aluminum Casing / Front Panel IP65 Level
- Supports VESA Mount / Embedded Mount

Specifications

LCD Display	Display Type:	21.5inch TFT LED Panel(LED Backlight)
	Aspect Ratio	16:9
	Max. Resolution:	1920x1080
	Luminance(cd/m ²)	300 - 500 nits , high brightness optional
	Backlight Lifetime	30,000hrs (typical)
	View Angle(H°/V°)	160/160
Features	Signal Input	VGA+ HDMI
	Colors	16.7M
	Response Time	5ms
Touchscreen	Touch Type	Projected Capacitive Touch
	Controller	USB interface
Environment	Operating Temperature	-10°C~60°C(14~140°F)(extend temperature optional)
	Storage Temperature	-20°C~70°C(-4~158°F)
	Front Panel Protection	IP6 5 compliant
Mechanical	Dimensions	530x320x43.5mm
	Weight	N.W. 5.2KG
	Color	Black/Sliver/Grey
	Material	Aluminum
Mount Way	Mount Way	Panel Mount/VESA Mount (75x75mm & 100x100mm)
Input Voltage	Input Voltage	12V 2A

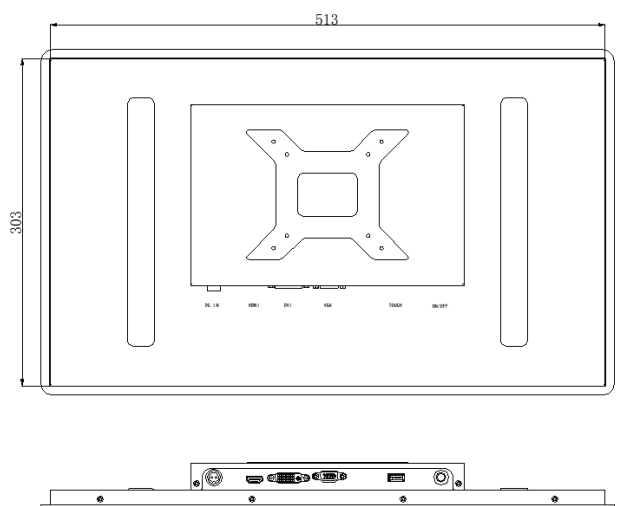
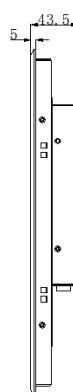
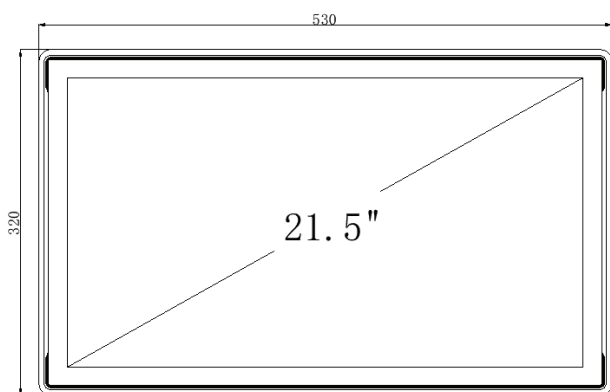
Pictures



Dimensions

Unit: mm

I/O



Packing List

- 1x FPM-2102K
- HDMI,VGA Cable (2choose1)
- 1x Power Adapter

Ordering Information

FPM-2102K: Projected Capacitive Touch Version