

Touch Panel PC

---X86 Processor Series

Touch Panel PC --- X86 Processor

Product Introduction:

A Series includes 4 different sizes of compact touch panel PC that equipped with CPU Intel Celeron/Core i3, i5. To ensure stable operation in harsh industrial environments, model A14 & A15 is designed with IP65-rated front panel and back cover that protects against water and dust ingress. What's more, A Series panel pc support various OS including Windows, Linux to ensure easy deployment for diverse applications, which makes it ideal for POS, Digital signage, MES Terminal.

Product Highlight:

- Certifications: CE FCC ROHS ISO
- Optional 4 sizes: 10.4"/ 15"/ 15.6"/ 21.5"
- Optional CPU: X86: Intel Celeron/ Core i3,i5;
- Optional OS: Windows/ Linux
- Installation methods: Wall Mount/ Vesa Mount/ Vertical Stand/ Embedded
- Support OEM and ODM service

A10

- 10.4" Capacitive screen
- Screen ratio 4:3
- Resolution 1024*768px



A14

- 15" Capacitive screen
- Screen ratio 4:3
- Support 1024*768px



A15

- 15.6" Capacitive screen
- Screen ratio 16:9
- Support 1920*1080px



A2

- 21.5" Capacitive screen
- Screen ratio 16:9
- Support 1920*1080px



A Series-Model A10

10.4" Touch Panel Pc



Features

- Optional CPU Intel Celeron Quad-core/Core i3 i5 i7
- 10 points touch screen
- Optional RAM and SSD
- Optional windows/ubuntu OS
- Can be embedded or vesa mount
- Apply for Digital Signage/KIOSK/Queuing System

Introduction

A 10 is a compact touch panel pc equipped with Optional CPU (Intel Celeron Quad-core/Core i3),RAM and SSD, 10.4" Industrial LED display and multi-touch glass sensor. A10 panel pc support various OS including Linux and Windows to ensure easy deployment for diverse applications,rich interface to support different usage scenarios, which makes it ideal for POS, Digital signage, KIOSK Terminal.

Specification

General	
- Certification	CE,FCC,ROHS,ISO
- Dimensions	283*225.2*56 mm
- Power Input	AC100-240V.50-60HZ
- Power Output	DC12V 2A~5A
- Mount Options	Wall Mount/Embedded Vesa Mount/Vertical Stand
- Weight (Net)	4.2kg

LED Display	
- Interface Type	LVDS
- Panel size	10.4"
- Max. Resolution	1024*768
- Max. Colors	16.7M
- Treatment	Anti-Glare
- Brightness	500nits
- Viewing Direction	Full Viewing
- Aspect Ratio	4:3

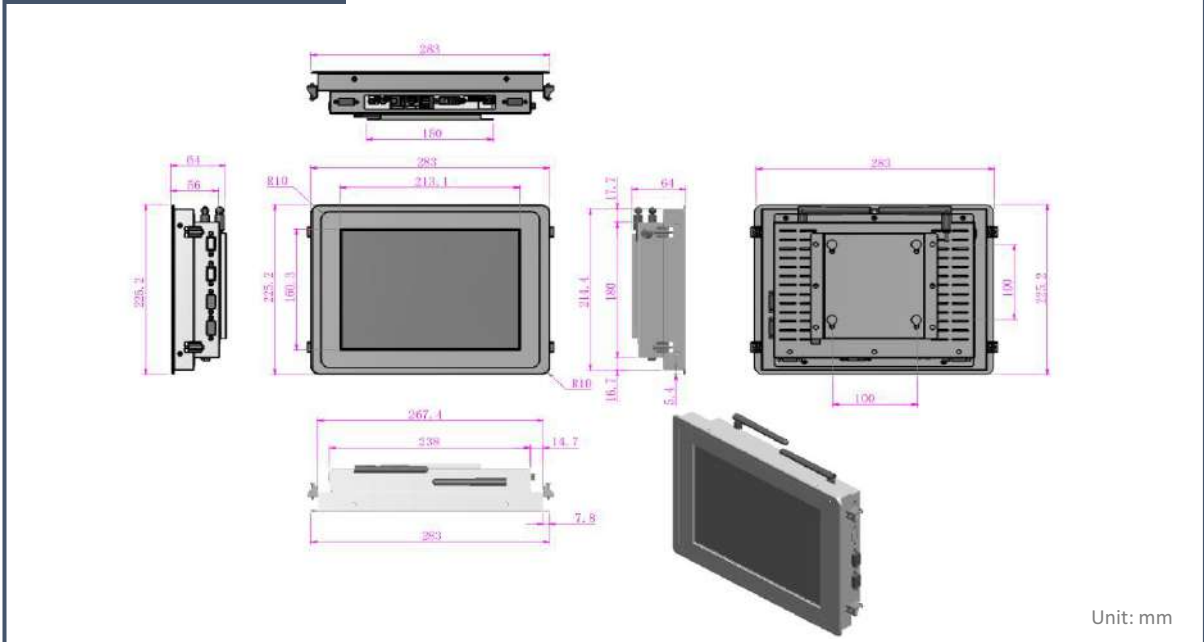
System Kernel	
- CPU	Intel Celeron Quad-core Intel Core i3/i5/i7 5th Intel Core i5-6th Intel Core i7-7th
- RAM	DDR3 2GB/4GB/8GB
- SSD	16/32/64/128/256/512GB
- OS Support	Windows/Ubuntu

Touchscreen	
- Touch Points	10 Points
- Type	Capacitive Touch

Interface(Depends on the motherboard)	
- Standard	1*12V DC_JACK input, 1*VGA,1*HDMI, 1*Audio input& output 4*USB(Upgradable) 1*RJ45(Upgradable) 1*RS232(Upgradable)
- Optional I/O	RS485, LPT, Phoenix terminal(Replace DC)
- Optional peripherals	Camera, SPK, Sensor, NFC, RFID, Fingerprint recognition module

Environment	
- Operation Temperature	-10 ~ 60°C
- Storage Temperature	-20 ~ 70°C
- Operation Humidity	10% ~ 80%
- Storage Humidity	10% ~ 90%

Dimension



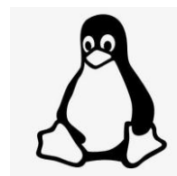
Product Picture



Embedded OS



Windows



Linux

A Series-Model A14

15" Touch Panel Pc



Features

- Optional CPU Intel Celeron Quad-core/Core i3 i5 i7
- 10 points touch screen
- Optional RAM and SSD
- Optional Windows/ubuntu OS
- Can be embedded or vesa mount
- Apply for Digital Signage/KIOSK/Queuing System

Introduction

A14 is a compact touch panel pc equipped with Optional CPU, RAM and SSD, 15" Industrial LED display and multi-touch glass sensor. It is designed with IP65-rated front panel and back cover that protects against water and dust ingress. A14 panel pc supports various OS including Linux and Windows to ensure easy deployment for diverse applications, which makes it ideal for POS, Digital signage, KIOSK Terminal.

Specification

General	
- Certification	CE, FCC, ROHS, ISO
- Dimensions	378*297*60.8mm
- Power Input	AC100-240V.50-60HZ
- Power Output	DC12V 2A~5A
- Mount Options	Wall Mount/Embedded Vesa Mount/Vertical Stand
- Weight (Net)	7.5kg

LED Display	
- Interface Type	LVDS
- Panel size	15"
- Max. Resolution	1024*768
- Max. Colors	16.7M (6-bit+Hi-FRC)
- Treatment	Anti-Glare
- Brightness	350nits
- Viewing Direction	Full Viewing
- Aspect Ratio	4:3

System Kernel	
- CPU	Intel Celeron Quad-core Intel Core i3/i5/i7 5th Intel Core i5-6th Intel Core i7-7th
- RAM	DDR3 2GB/4GB/8GB
- SSD	16/32/64/128/256/512GB
- OS Support	Windows/Ubuntu

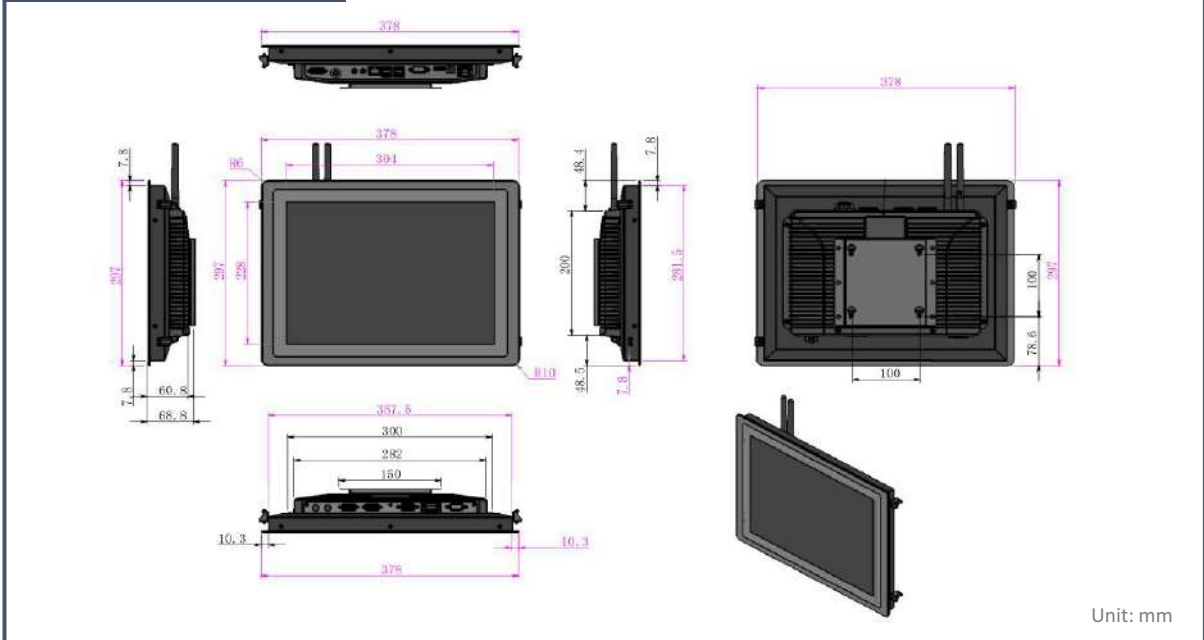
Touchscreen	
- Touch Points	10 Points
- Type	Capacitive Touch

Interface(Depends on the motherboard)	
- Standard	1*12V DC JACK input, 1*VGA, 1*HDMI, 1*Audio input & output 4*USB(Upgradable) 1*RJ45(Upgradable) 1*RS232(Upgradable)
- Optional I/O	RS485, LPT, Phoenix terminal(Replace DC)
- Optional peripherals	Camera, SPK, Sensor, NFC, RFID, Fingerprint recognition module

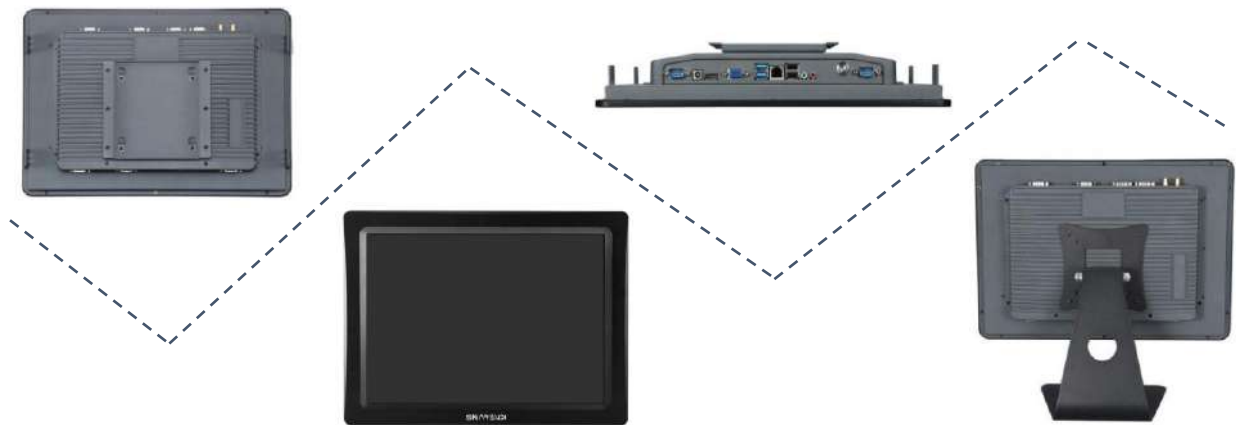
Environment	
- Operation Temperature	-10 ~ 60°C
- Storage Temperature	-20 ~ 70°C
- Operation Humidity	10% ~ 80%
- Storage Humidity	10% ~ 90%

Interface(Depends on the motherboard)

Dimension



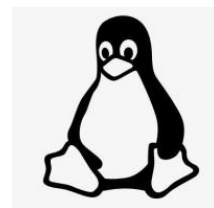
Product Picture



Embedded OS



Windows



Linux

A Series-Model A15

15.6" Touch Panel Pc



Features

- Optional CPU Intel Celeron Quad-core/Core i3 i5 i7
- 10 points touch screen
- Optional RAM and SSD
- Optional windows/ubuntu OS
- Can be embedded or vesa mount
- Apply for Digital Signage/KIOSK/Queuing System

Introduction

A15 is a compact touch panel pc equipped with Optional CPU,RAM and SSD,15.6" Industrial LED display and multi-touch glass sensor.It designed with IP65-rated front panel and back cover that protects against water and dust ingress. A15 panel pc support various OS including Linux and Windows to ensure easy deployment for diverse applications,which makes it ideal for POS,Digital signage,KIOSK Terminal.

Specification

General

- Certification	CE,FCC,ROHS,ISO
- Dimensions	391*276*51 mm
- Power Input	AC100-240V.50-60HZ
- Power Output	DC12V 2A~5A
- Mount Options	Wall Mount/Embedded Vesa Mount/Vertical Stand
- Weight (Net)	6kg

System Kernel

- CPU	Intel Celeron Quad-core Intel Core i3/i5/i7 5th Intel Core i5-6th Intel Core i7-7th
- Memory	DDR3 2GB/4GB/8GB
- SSD	16/32/64/128/256/512GB
- OS Support	Windows/Ubuntu

Interface(Depends on the motherboard)

- Standard	1*12V DC_JACK input, 1*VGA,1*HDMI, 1*Audio input& output 4*USB(Upgradable) 1*RJ45(Upgradable) 1*RS232(Upgradable)
- Optional I/O	RS485, LPT, Phoenix terminal(Replace DC)
- Optional peripherals	Camera, SPK, Sensor, NFC, RFID, Fingerprint recognition module

LED Display

- Interface Type	EDP
- Panel size	15.6"
- Max. Resolution	1920*1080
- Max. Colors	16.7M
- Treatment	Anti-Glare
- Brightness	350nits
- Viewing Direction	Full Viewing
- Aspect Ratio	16:9

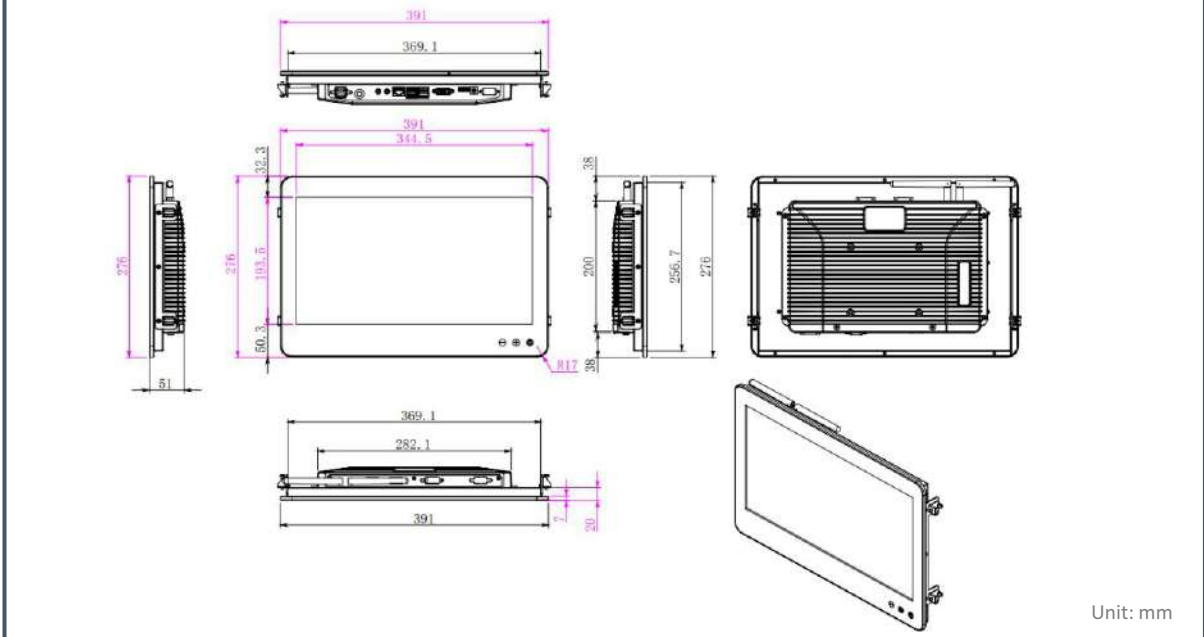
Touchscreen

- Touch Points	10 Points
- Type	Capacitive Touch

Environment

- Operation Temperature	-10 ~ 60°C
- Storage Temperature	-20 ~ 70°C
- Operation Humidity	10% ~ 80%
- Storage Humidity	10% ~ 90%

Dimension



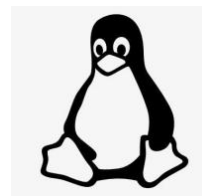
Product Picture



Embedded OS



Windows



Linux

A Series-Model A2

21.5" Touch Panel Pc



Features

- Optional CPU Intel Celeron Quad-core/Core i3 i5 i7
- 10 points touch screen
- Optional RAM and SSD
- Optional windows/ubuntu OS
- Can be embedded or vesa mount
- Apply for Digital Signage/KIOSK/Queuing System

Introduction

A2 is a compact touch panel pc equipped with Optional CPU, RAM and SSD, 21.5" Industrial LED display and multi-touch glass sensor. A2 panel pc support various OS including Linux and Windows to ensure easy deployment for diverse applications, rich interface to support different usage scenarios, which makes it ideal for POS, Digital signage, KIOSK Terminal.

Specification

General

- Certification	CE,FCC,ROHS,ISO
- Dimensions	534*325*52.6 mm
- Power Input	AC110-240V.50-60HZ
- Power Output	DC12V 3A~5A
- Mount Options	Wall Mount/Embedded Vesa Mount/Vertical Stand
- Weight (Net)	9kg

System Kernel

- CPU	Intel Celeron Quad-core Intel Core i3/i5/i7 5th Intel Core i5-6th Intel Core i7-7th
- RAM	DDR3 2GB/4GB/8GB
- SSD	16/32/64/128/256/512GB
- OS Support	Windows/Ubuntu

Interface

- Standard	1*12V DC_JACK input, 1*VGA,1*HDMI, 1*Audio input& output 4*USB(Upgradable) 1*RJ45(Upgradable) 1*RS232(Upgradable)
- Optional I/O	RS485, LPT, Phoenix terminal(Replace DC)
- Optional peripherals	Camera, SPK, Sensor, NFC, RFID, Fingerprint recognition module

LED Display

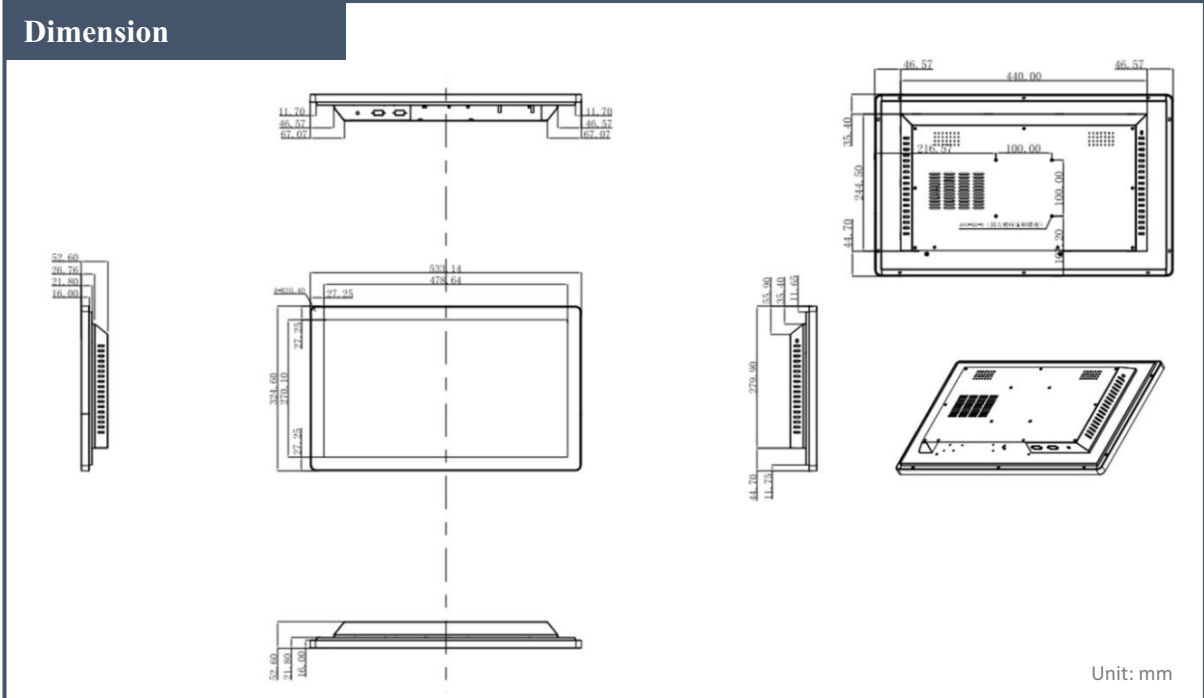
- Interface Type	LVDS
- Panel size	21.5"
- Max. Resolution	1920*1080
- Max. Colors	16.7M(8-bit)
- Treatment	Anti-Glare
- Brightness	250nits
- Viewing Direction	Full Viewing
- Aspect Ratio	16:9

Touchscreen

- Touch Points	10 Points
- Type	Capacitive Touch

Environment

- Operation Temperature	-10~ 60°C
- Storage Temperature	-20 ~ 70°C
- Operation Humidity	10% ~ 80%
- Storage Humidity	10% ~ 90%



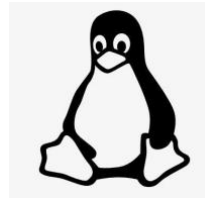
Product Picture



Embedded OS



Windows



Linux