

FPM-1202A

12inch Industrial Touch Monitor



Features

- Flat Panel Screen, 5mm ultra-thin
- 12inch LED Panel with capacitive touchscreen
- Streamlined Design
- HDMI+VGA Signal Input
- Aluminum Casing / Front Panel IP65 Level
- Supports VESA Mount / Embedded Mount

Specifications

LCD Display	Display Type:	12inch TFT LED Panel(LED Backlight)
	Aspect Ratio	4:3
	Max. Resolution:	1024x768
	Luminance(cd/m ²)	300-500nits , high brightness optional
	Backlight Lifetime	30,000hrs (typical)
	View Angle(H°/V°)	160/160
Features	Signal Input	VGA+ HDMI
	Colors	16.7M
	Response Time	5ms
Touchscreen	Touch Type	Projected Capacitive Touch
	Controller	USB interface
Environment	Operating Temperature	-10°C~60°C(14~ 140 °F)
	Storage Temperature	-20°C~70°C(-4 ~ 158 °F)
	Front Panel Protection	IP65 compliant
Mechanical	Dimensions	291x230x38mm
	Weight	N.W. 1.4KG
	Color	Black
	Material	Aluminum
Mount Way	Mount Way	Panel Mount/VESA Mount (75x75mm & 100x100mm)
Input Voltage	Input Voltage	12V 2A

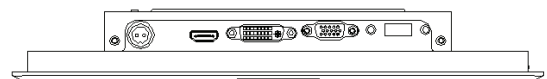
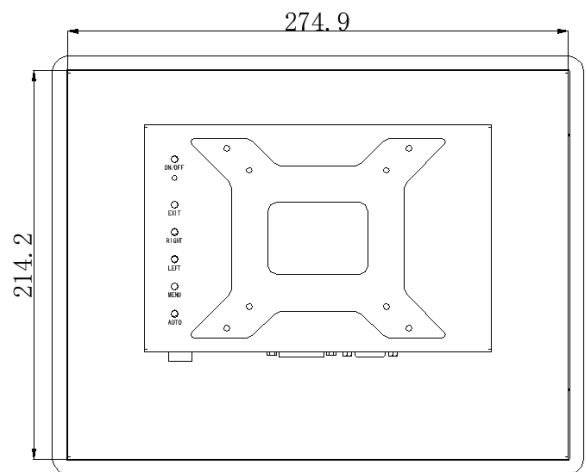
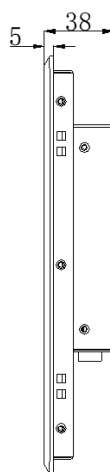
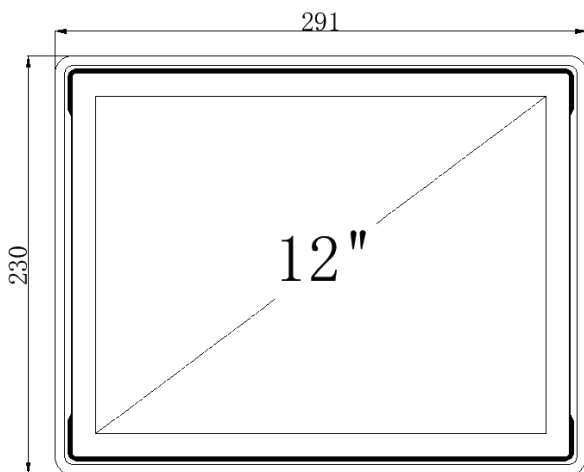
Pictures



Dimensions

Unit: mm

I/O



Packing List

- 1x FPM-1202A
- HDMI,VGA Cable 2 choose 1)
- 1x Power Adapter

Ordering Information

FPM-1202A: Projected Capacitive Touch Version