

# FPM-1702A

## 17inch Industrial Touch Monitor



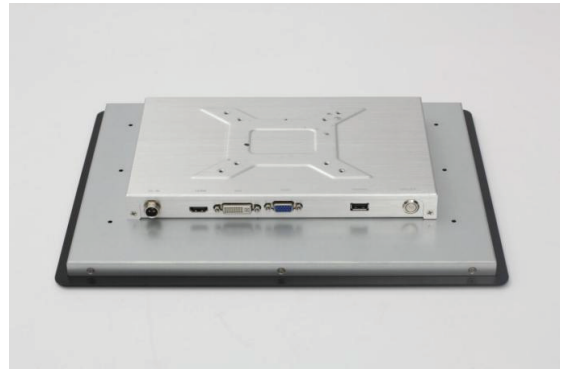
### Features

- Flat Panel Screen, 5mm ultra-thin
- 17inch LED Panel with capacitive touchscreen
- Streamlined Design
- HDMI+VGA Signal Input
- Aluminum Casing / Front Panel IP65 Level
- Supports VESA Mount / Embedded Mount

### Specifications

<b>LCD Display</b>	Display Type:	17inch TFT LED Panel( LED Backlight)
	Aspect Ratio	4:3
	Max. Resolution:	1280x1024
	Luminance(cd/m <sup>2</sup> )	300-500nits, high brightness optional
	Backlight Lifetime	30,000hrs (typical)
	View Angle(H°/V°)	160/160
<b>Features</b>	Signal Input	VGA+ HDMI
	Colors	16.7M
	Response Time	5ms
<b>Touchscreen</b>	Touch Type	Capacitive Touch
	Controller	USB interface
<b>Environment</b>	Operating Temperature	-10°C~60°C(14~ 140 °F)
	Storage Temperature	-20°C~70°C(-4 ~ 158 °F)
	Front Panel Protection	IP65 compliant
<b>Mechanical</b>	Dimensions	395.4x327.5x43.5mm
	Weight	N.W. 4.1KG
	Color	Black
	Material	Aluminum
<b>Mount Way</b>	Mount Way	Panel Mount/VESA Mount (75x75mm & 100x100mm)
<b>Input Voltage</b>	Input Voltage	12V 2A

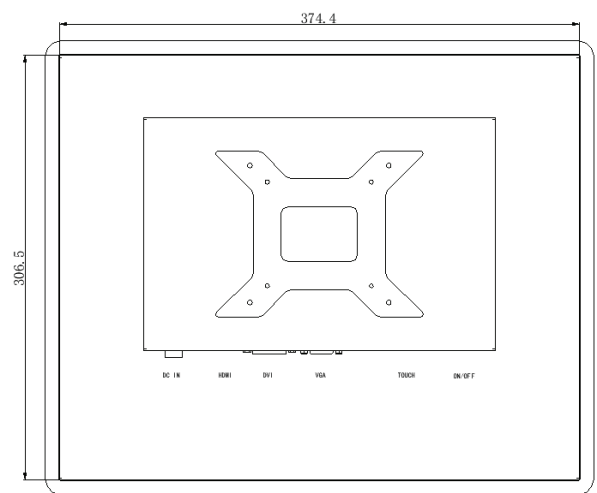
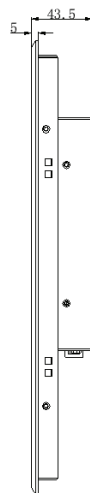
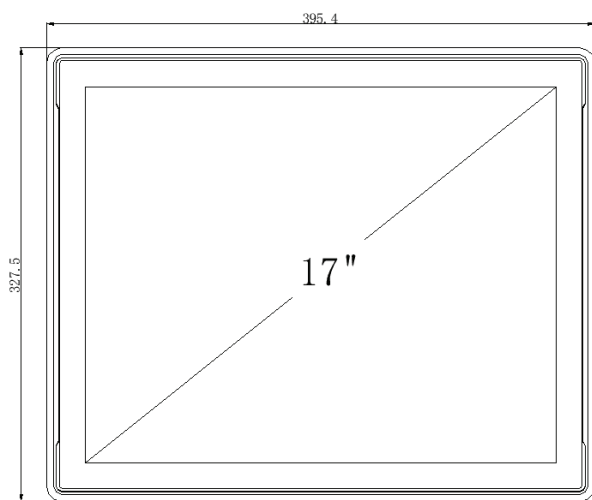
## Pictures



## Dimensions

Unit: mm

I/O



## Packing List

- 1x FPM-1702A
- HDMI,VGA Cable 2 choose 1)
- 1x Power Adapter

## Ordering Information

FPM-1702A: Projected Capacitive Touch Version