

SPC-W2192A

21.5inch Industrial Panel PC



Features

- Aluminum die-casting chassis, fanless design
- Wireless Design
- 21.5 inch LED TFT LCD, capacitive touch
- Intel 10th Gen. Core I3/I5/I7 CPU
- 3*COM, 2*LAN, 4*USB3.0
- AT & ATX Model
- Front Panel IP65 Level

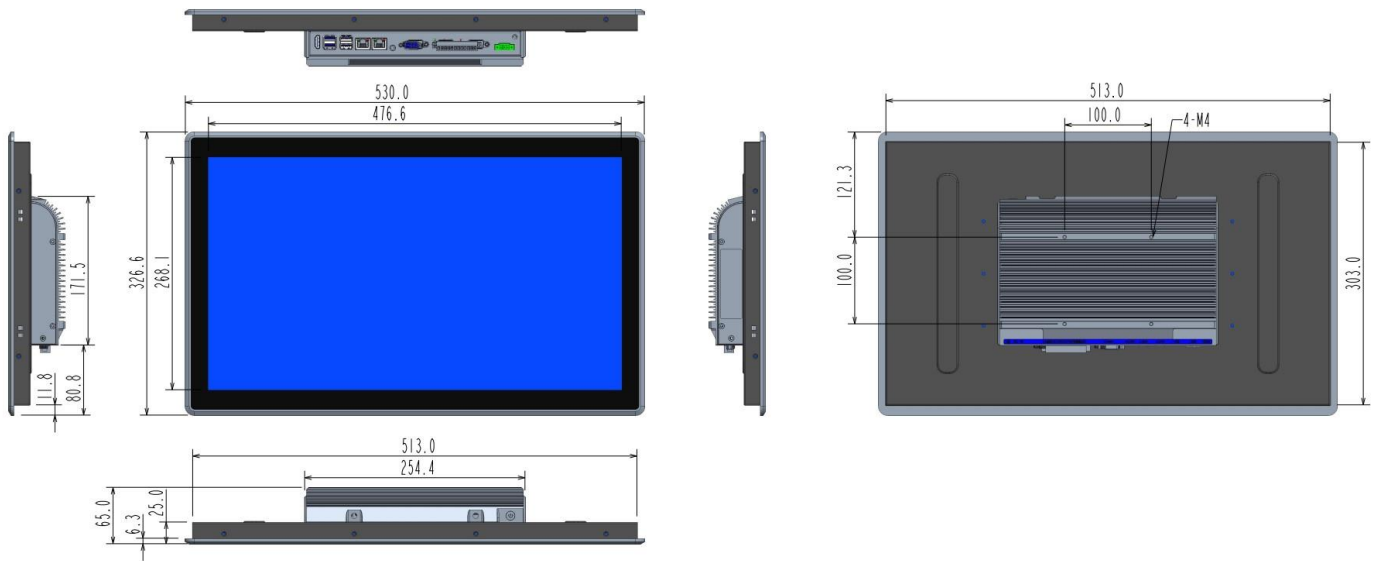


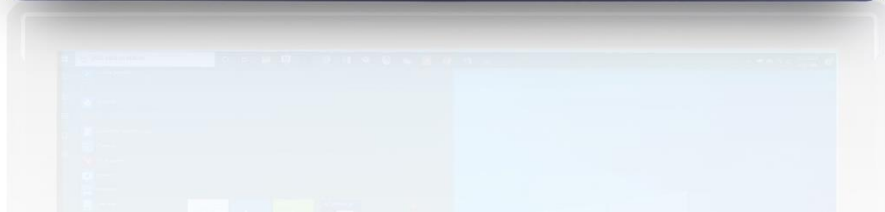
SPC-W2192A is an intelligent, fanless panel PC, 21.5" Panel PC equipped with an Intel® 10th Gen. Core processor. Meeting the demands of harsh environments, in addition, the dual GbE LAN, 3 x serial ports, 4 x USB ports, make device connection and integration easy.

Specifications

Processor	CPU	Intel® i3-10110U Dual Core, 2.10-4.10 GHz 4M Cache, TDP 15W Intel® i5-10310U Quad Core, 1.70-4.40 GHz 4M Cache, TDP 15W Intel® i7-10510U Quad Core, 1.80-4.90 GHz 4M Cache, TDP 15W	
	Cooling System	Fanless	
	Memory	1x DDR4 2133Mhz SO-DIMM Sockets, up to 16GB	
	Storage	1*mSATA SSD Full Size	
	I/O ports		4xUSB3.0, Type-A COM: 3xRS232, DB9 Display: 1xHDMI (1920*1200 @30Hz) Audio: 1×Mic-in, 1x Line-out Expansion: MINI-PCIE
		Network(LAN)	2x 10/100/1000Mbps Ethernet
		Input Voltage	Input Voltage
Control SW/LED			Power Button, AT & ATX Model
LCD Display	Display Type:	21.5inch TFT LED Panel(LED Backlight)	
	Max. Resolution:	1920x1080 / 4:3	
	Luminance(cd/m ²)	300nits	
Touchscreen	Touch Type	Capacitive Touch	

OS Support	OS Support	Windows 7/ Windows 8/ Windows 10/ Linux
Environment	Operating Temperature	-0°C ~ 50°C (extend temperature optional)
	Storage Temperature	-10°C ~ 60°C (extend temperature optional)
	Front Panel Protection	IP65 compliant
Mechanical	Dimensions	(W*D*H): 530x326.6x65mm Mounting Cut out (W*H): 513*303mm
	Weight	7.5KG (N.W.)
	Color	Black
	Material	Aluminum
	Certification	CE / UL / RoHS







Packing List	Ordering Information
1x SPC-W2192A	SPC-S2192A-1: i3-10110U Version
1x Driver CD	SPC-S2192A-2: i5-10310U Version
1x Power Adapter	SPC-S2192A-3: i7-10510U Version
Optional accessories	Operating Systems
VESA Bracket	WIN8 32bit 64bit EN
Power Cable 2-pin 200cm	WIN10 32bit 64bit EN
	Linux Ubuntu 12.04/16.04/18.04