

# KLD-126XA

12inch Fanless Panel PC with  
Intel J1900 Processor



## Features

- Embedded Intel Bay Trail J1900 Processor
- 12inch LED Panel with capacitive touchscreen
- System memory up to 4GB DDR3
- HDMI+VGA Dual Display
- Fanless design and low power consumption
- Front Panel IP65 Level
- Supports Win 7/ Win 8/ Win 10/ Linux OS

## Specifications

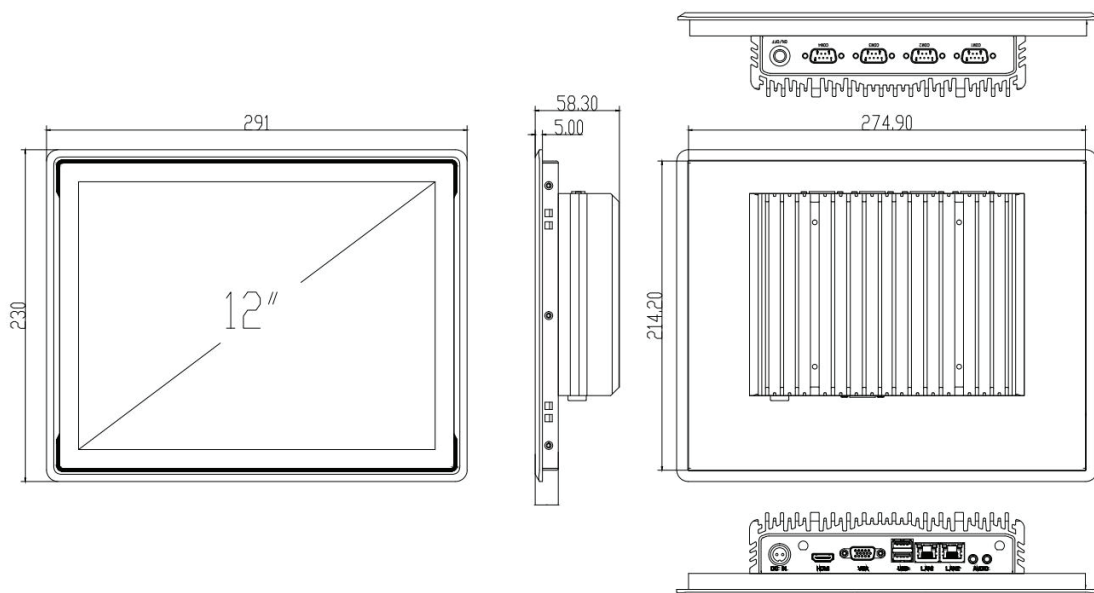
|                               |                               |                                                                                     |
|-------------------------------|-------------------------------|-------------------------------------------------------------------------------------|
| <b>Processor</b>              | CPU                           | Intel Bay Trail J1900                                                               |
|                               | Cooling System                | Fanless                                                                             |
|                               | Memory                        | Onboard 2GB/4GB DDR3                                                                |
|                               | Storage                       | mSATA SSD 64GB                                                                      |
| <b>Input Voltage</b>          | I/O ports                     | USB: 3xUSB2.0+1xUSB3.0<br>COM: 4xRS232, optional 6xRS232                            |
|                               | Network(LAN)                  | Dual Display: 1xVGA, 1xHDMI<br>Audio: 1xMic-in, 1x Line-out<br>Expansion: MINI-PCIE |
|                               | Input Voltage                 | 2x 10/100/1000Mbps Ethernet                                                         |
|                               | Display Type                  | 12V DC(Aviation Connector) , optional 9V-36V DC                                     |
| <b>LCD Display</b>            | Max. Resolution               | 12inch TFT LED Panel( LED Backlight)                                                |
|                               | Luminance(cd/m <sup>2</sup> ) | 1024x768 / 4:3                                                                      |
| <b>Touchscreen OS Support</b> | Touch Type                    | 300-1000nits                                                                        |
|                               | OS Support                    | Capacitive Touch                                                                    |
| <b>Environment</b>            | Operating Temperature         | Microsoft Windows 7/ Windows 8/ Windows 10/ Linux                                   |
|                               | Storage Temperature           | -10°C,60°C(14~ 140 °F)(extend temperature optional)                                 |
|                               | Front Panel Protection        | -20°C,70°C(-4 ~ 158°F)                                                              |
|                               | Dimensions                    | IP65 compliant                                                                      |
| <b>Mechanical</b>             | Weight                        | 291x230x85mm                                                                        |
|                               | Color                         | 2.99KG                                                                              |
|                               | Material                      | Black                                                                               |
|                               |                               | Aluminum                                                                            |

## Pictures



## Dimensions

Unit: mm



### Packing List

- 1x KLD-1262A
- 1x Driver CD
- 1x Power Adapter

### Operating Systems

- WIN7 32bit 64bit ENG
- WIN8 32bit 64bit ENG
- WIN10 32bit 64bit ENG

### Ordering Information

KLD-1262A: Projected Capacitive  
Touch Version

### Optional accessories

- VESA Bracket
- Power Cable 2-pin 200cm