

# KLD-198XA

19inch Fanless Panel PC with  
Intel 6th/7th Celeron/Core Processor



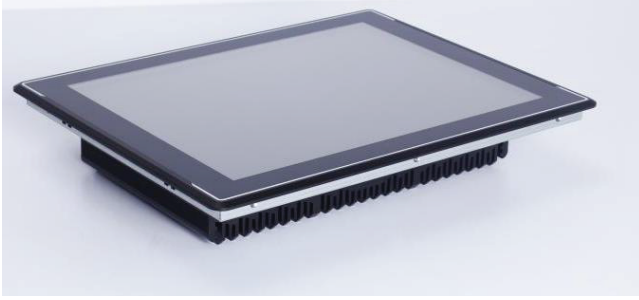
## Features

- Embedded Intel 6th 7th Celeron/Core i3 i5 i7 Processor
- 19inch LED Panel with capacitive touchscreen
- System memory up to 16GB DDR4
- 2xHDMI Dual Display
- Fanless design and low power consumption
- Front Panel IP65 Level
- Supports Win 7/ Win 8/ Win 10/ Linux OS

## Specifications

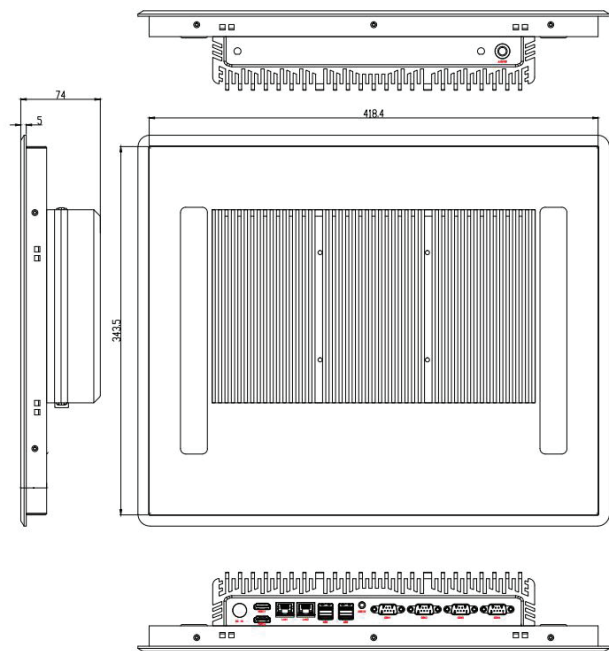
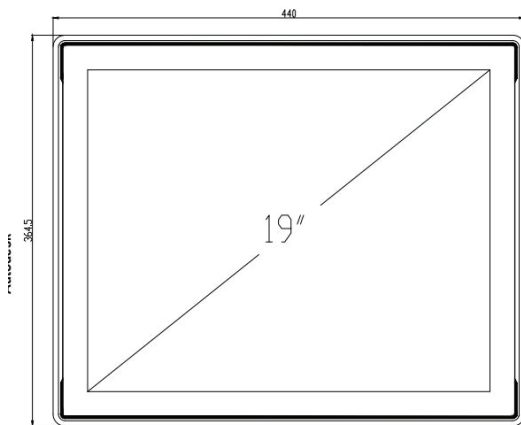
<b>Processor</b>	CPU	Intel 6th 7th Celeron 3865U/Core i3-7100U/i5-7200U/i7-7500U
	Cooling System	Fanless
	Memory	Onboard 4GB DDR4
	Storage	mSATA SSD+2.5''32GB HDD / i3,i5,i7 64GB
<b>Input Voltage</b>	I/O ports	USB: 4xUSB3.0 COM: 4xRS232, optional 6xRS232
	Network(LAN)	Dual Display: 2xHDMI Audio: 1xLine-out Expansion: MINI-PCIE
	Input Voltage	2x 10/100/1000Mbps Ethernet
	Display Type	12V DC(Aviation Connector) , optional 9V-36V DC
<b>LCD Display</b>	Max. Resolution	19inch TFT LED Panel( LED Backlight)
	Luminance(cd/m <sup>2</sup> )	1280x1024 / 4:3
<b>Touchscreen OS Support</b>	Touch Type	300-1000nits
	OS Support	Capacitive Touch
<b>Environment</b>	Operating Temperature	Microsoft Windows 7/ Windows 8/ Windows 10/ Linux
	Storage Temperature	-10°C,60°C(14~ 140 °F)(extend temperature optional)
	Front Panel Protection	-20°C,70°C(-4 ~ 158°F)
<b>Mechanical</b>	Dimensions	IP65 compliant
	Weight	440x364.5x74mm
	Color	Black
	Material	Aluminum + SUS

## Pictures



## Dimensions

Unit: mm



### Packing List

- 1x KLD-1982A
- 1x Driver CD
- 1x Power Adapter

### Operating Systems

- WIN7 32bit 64bit ENG
- WIN8 32bit 64bit ENG
- WIN10 32bit 64bit ENG

### Ordering Information

- KLD-1982A: Projected Capacitive Touch Version

### Optional accessories

- VESA Bracket
- Power Cable 2-pin 200cm