

# FPM-0801A

8inch Industrial Touch Monitor



## Features

- Flat Panel Screen, 5mm ultra-thin
- 8inch LED Panel with resistive
- Streamlined Design
- HDMI+VGA+DVI Signal Input
- Aluminum Casing
- Front Panel IP65 Level
- Supports VESA Mount / Embedded Mount

## Specifications

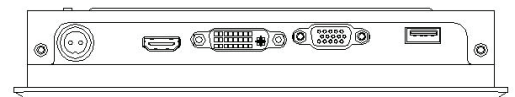
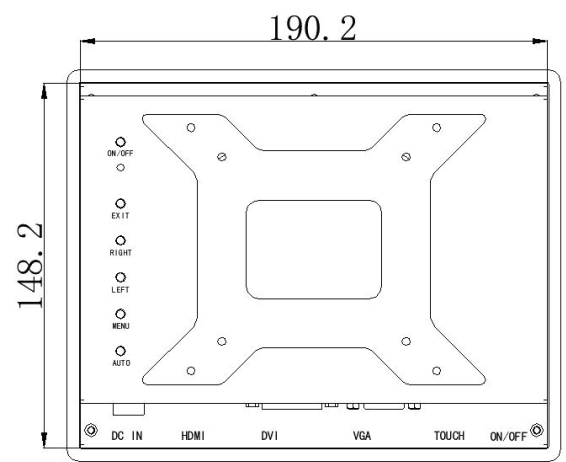
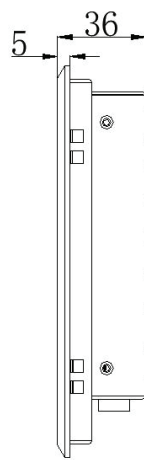
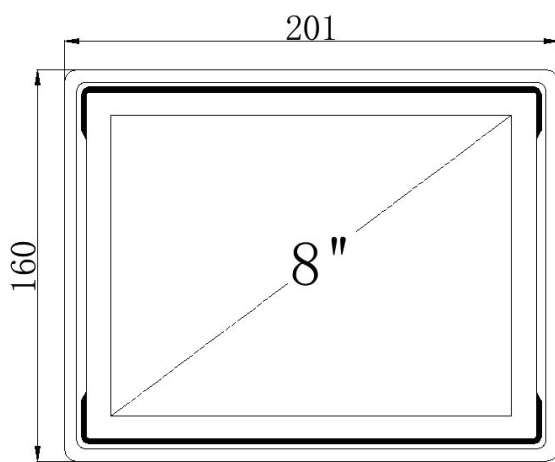
|                       |                        |  |
|-----------------------|------------------------|--|
| <b>LCD Display</b>    | Display Type           | 8inch TFT LED Panel( LED Backlight)          |
|                       | Max. Resolution        | 1024x768                                     |
|                       | Luminance              | 300 nits, high brightness optional           |
|                       | Backlight Lifetime     | 30,000hrs (typical)                          |
| <b>Features</b>       | View Angle(H°/V°)      | 160/160                                      |
|                       | Signal Input           | VGA+DVI+HDMI                                 |
|                       | Colors                 | 16.7M  |
| <b>Touchscreen</b>    | Response Time          | 5ms  |
|                       | Touch Type             | 5-wire Resistive                             |
| <b>Environment</b>    | Controller             | USB interface                                |
|                       | Operating Temperature  | -10℃,60℃(14~ 140 °F)                         |
|                       | Storage Temperature    | -20℃,70℃(-4 ~ 158°F)                         |
| <b>Mechanical</b>     | Front Panel Protection | IP65 compliant                               |
|                       | Dimensions             | 201x160x36mm                                 |
|                       | Weight                 | 2.1KG  |
|                       | Color                  | Black  |
| <b>Mount Way</b>      | Material               | Aluminum                                     |
|                       | Mount Way              | Panel Mount/VESA Mount (75x75mm & 100x100mm) |
| <b>Input Voltage</b>  | Input Voltage          | 12V 2A                                       |
| <b>Custom Service</b> | Custom Service         | Custom LOGO                                  |

## Pictures



## Dimensions

Unit: mm



## Packing List

- 1x FPM-0801A
- HDMI,VGA,DVI Cable (3 choose 1)
- 1x Power Adapter

## Ordering Information

FPM-0801A: 5-wire Resistive Touch Version