

KLD-178XA

17inch Fanless Panel PC with
Intel 6th/7th Celeron/Core Processor



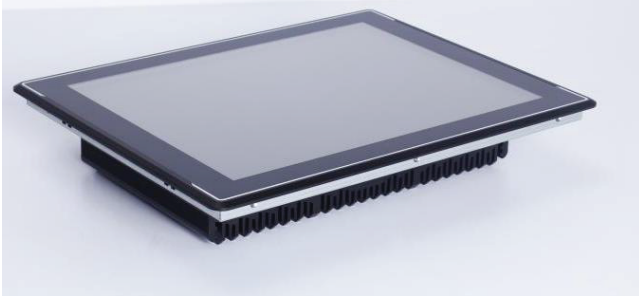
Features

- Embedded Intel 6th 7th Celeron 3865U/Core i3 i5 i7 Processor
- 17inch LED Panel with capacitive touchscreen
- System memory up to 16GB DDR4
- 2xHDMI Dual Display
- Fanless design and low power consumption
- Front Panel IP65 Level
- Supports Win 7/ Win 8/ Win 10/ Linux OS

Specifications

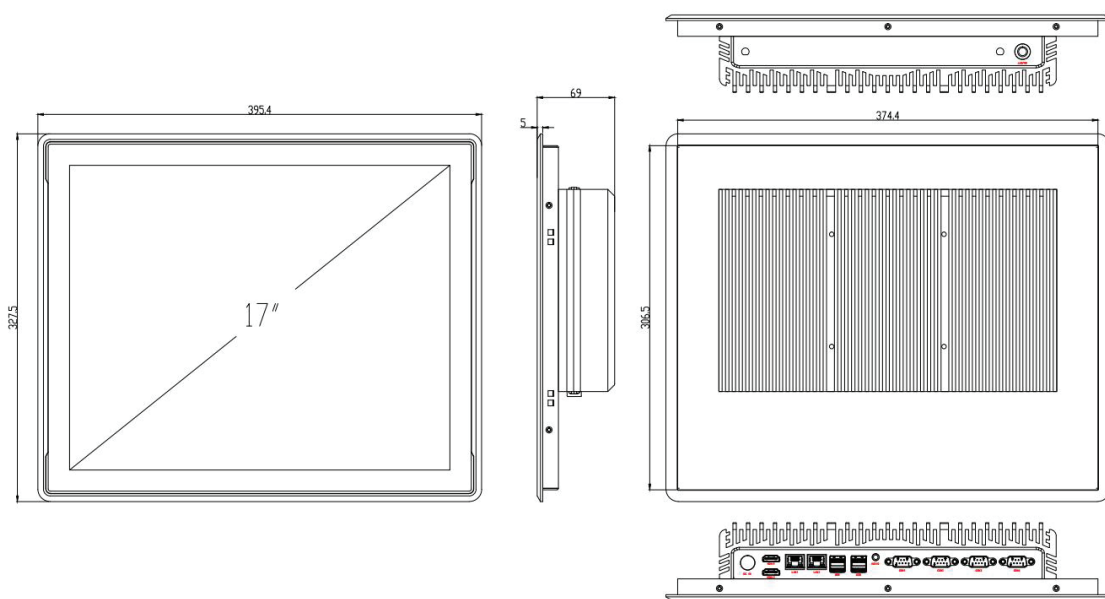
Processor	CPU	Intel 6th 7th Celeron 3865U/Core i3/i5/i7
	Cooling System	Fanless
	Memory	2GB-16GB DDR4
	Storage	mSATA SSD+2.5''32GB HDD / i3,i5,i7 64GB
Input Voltage	I/O ports	USB: 4xUSB3.0 COM: 4xRS232, optional 6xRS232
	Network(LAN)	Dual Display: 2xHDMI Audio: 1xLine-out Expansion: MINI-PCIE
	Input Voltage	2x 10/100/1000Mbps Ethernet
	Display Type	12V DC(Aviation Connector) , optional 9V-36V DC
LCD Display	Max. Resolution	17inch TFT LED Panel(LED Backlight)
	Luminance(cd/m ²)	1280x1024 / 4:3
Touchscreen OS Support	Touch Type	300nits
	OS Support	Capacitive Touch
Environment	Operating Temperature	Microsoft Windows 7/ Windows 8/ Windows 10/ Linux
	Storage Temperature	-10°C,60°C(14~ 140 °F)(extend temperature optional)
	Front Panel Protection	-20°C,70°C(-4 ~ 158°F)
	Dimensions	IP65 compliant
Mechanical	Weight	395.4x327.5x69mm
	Color	7.5KG
	Material	Black
		Aluminum + SUS

Pictures



Dimensions

Unit: mm



Packing List

- 1x KLD-158XA
- 1x Driver CD
- 1x Power Adapter

Operating Systems

- WIN7 32bit 64bit ENG
- WIN8 32bit 64bit ENG
- WIN10 32bit 64bit ENG

Ordering Information

- KLD-1581A: 5-wire Resistive Touch Version
- KLD-1582A: Projected Capacitive Touch Version

Optional accessories

- VESA Bracket
- Power Cable 2-pin 200cm