

# KLD-1082A

10inch Fanless Panel PC with  
Intel 6th/7th Celeron/Core Processor



## Features

- Embedded Intel 6th 7th Celeron/Core i3 i5 i7 Processor
- 10inch LED Panel with capacitive touchscreen
- System memory up to 16GB DDR4
- 2xHDMI Dual Display
- Fanless design and low power consumption
- Front Panel IP65 Level
- Supports Win 7/ Win 8/ Win 10/ Linux OS

## Specifications

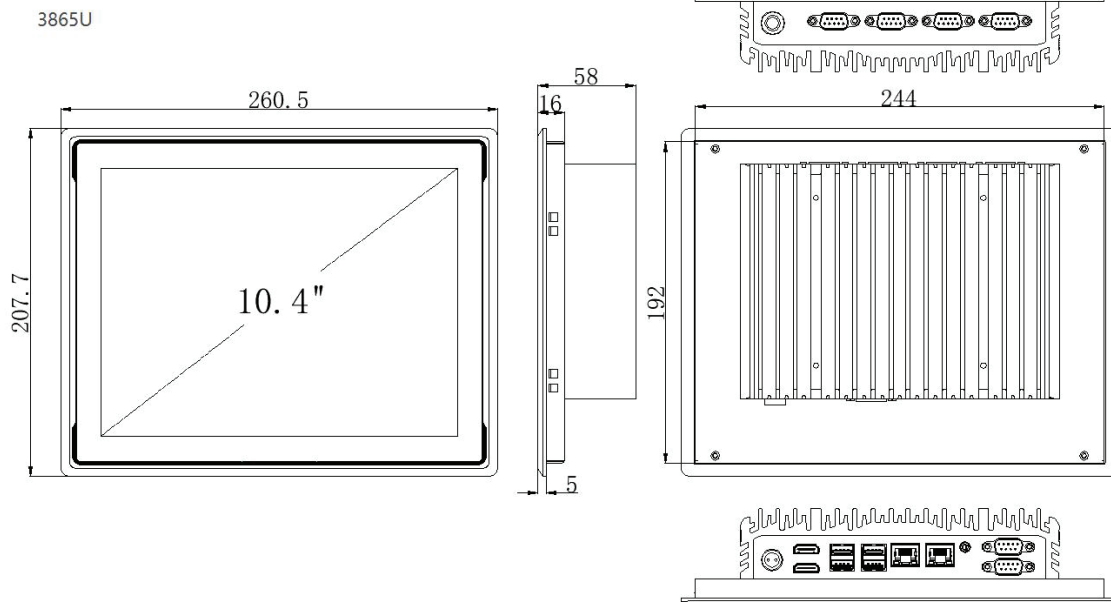
<b>Processor</b>	CPU	Intel 6th 7th Celeron 3865U/ Core i3 / i5 / i7
	Cooling System	Fanless
	Memory	4GB-16GB DDR4
	Storage	mSATA SSD 32GB
<b>Input Voltage</b>	USB	4xUSB3.0
	COM	4xRS232, optional 6xRS232
	I/O ports	Dual Display: 2xHDMI Audio: 1xLine-out Expansion: MINI-PCIE
	Network(LAN)	2x 10/100/1000Mbps Ethernet
<b>LCD Display</b>	Input Voltage	12V DC(Aviation Connector) , optional 9V-36V DC
	Display Type	10inch TFT LED Panel( LED Backlight)
<b>Touchscreen</b>	Max. Resolution	1024x768 / 4:3
	Luminance(cd/m <sup>2</sup> )	300-1000nits
<b>OS Support</b>	Touch Type	Projected Capacitive Touch
	OS Support	Microsoft Windows 7/ Windows 8/ Windows 10/ Linux
<b>Environment</b>	Operating Temperature	-10°C,60°C(14~ 140 °F)(extend temperature optional)
	Storage Temperature	-20°C,70°C(-4 ~ 158°F)
	Front Panel Protection	IP65 compliant
<b>Mechanical</b>	Dimensions	260.5x207.7x58mm
	Weight	2.58KG
	Color	Black
	Material	Aluminum
<b>Custom Service</b>	Custom Service	Custom BIOS, System Encryption, Custom LOGO

## Pictures



## Dimensions

Unit: mm



### Packing List

- 1x KLD-108XA
- 1x Driver CD
- 1x Power Adapter

### Operating Systems

- WIN7 64bit ENG/CN
- WIN8 64bit ENG/CN
- WIN10 64bit ENG/CN

### Ordering Information

KLD-108XA: Projected Capacitive  
Touch Version

### Optional accessories

- VESA Bracket
- Power Cable 2-pin 200cm