

KLD-108XA

10inch Fanless Panel PC with
Intel 6th/7th Celeron/Core Processor



Features

- Embedded Intel 6th 7th Celeron/Core i3 i5 i7 Processor
- 10inch LED Panel with capacitive touchscreen
- System memory up to 16GB DDR4
- 2xHDMI Dual Display
- Fanless design and low power consumption
- Front Panel IP65 Level
- Supports Win 7/ Win 8/ Win 10/ Linux OS

Specifications

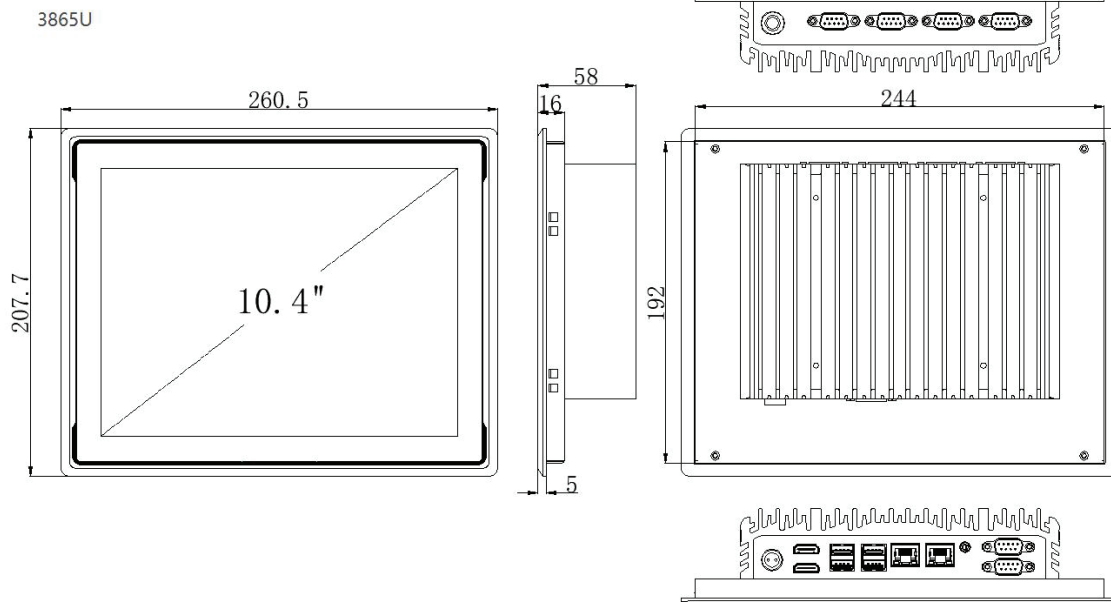
Processor	CPU	Intel 6th 7th Celeron 3865U/ Core i3 / i5 / i7
	Cooling System	Fanless
	Memory	4GB-16GB DDR4
	Storage	mSATA SSD 32GB
Input Voltage	I/O ports	USB: 4xUSB3.0 COM: 4xRS232, optional 6xRS232
	Network(LAN)	2x 10/100/1000Mbps Ethernet
	Input Voltage	12V DC(Aviation Connector) , optional 9V-36V DC
	Display Type	10inch TFT LED Panel(LED Backlight)
LCD Display	Max. Resolution	1024x768 / 4:3
	Luminance(cd/m ²)	300-1000nits
Touchscreen	Touch Type	Projected Capacitive Touch
OS Support	OS Support	Microsoft Windows 7/ Windows 8/ Windows 10/ Linux
Environment	Operating Temperature	-10°C,60°C(14~ 140 °F)(extend temperature optional)
	Storage Temperature	-20°C,70°C(-4 ~ 158°F)
	Front Panel Protection	IP65 compliant
Mechanical	Dimensions	260.5x207.7x58mm
	Weight	2.58KG
	Color	Black
	Material	Aluminum

Pictures



Dimensions

Unit: mm



Packing List

- 1x KLD-108XA
- 1x Driver CD
- 1x Power Adapter

Operating Systems

- WIN7 64bit ENG
- WIN8 64bit ENG
- WIN10 64bit ENG

Ordering Information

KLD-108XA: Projected Capacitive
Touch Version

Optional accessories

- VESA Bracket
- Power Cable 2-pin 200cm